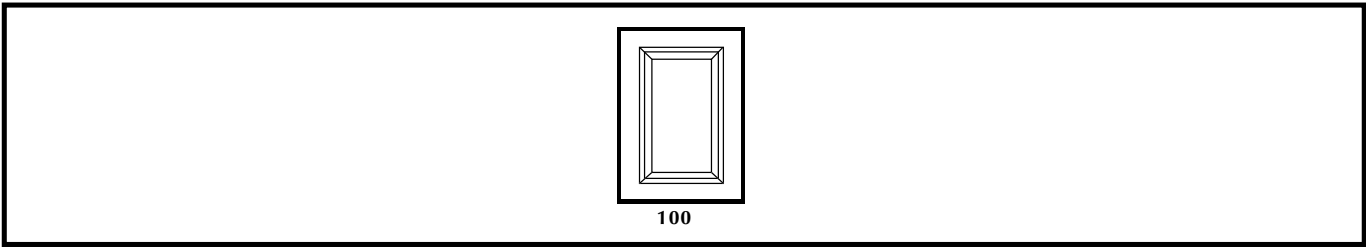
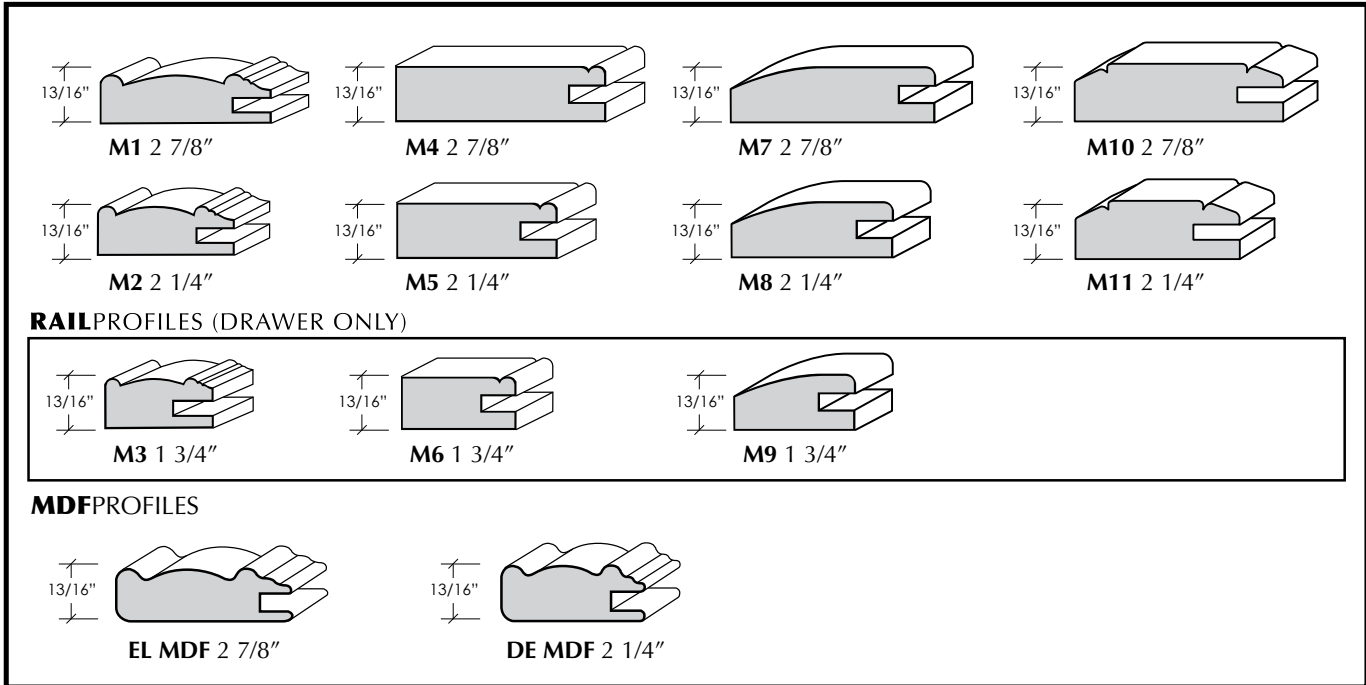


DOORDESIGNS



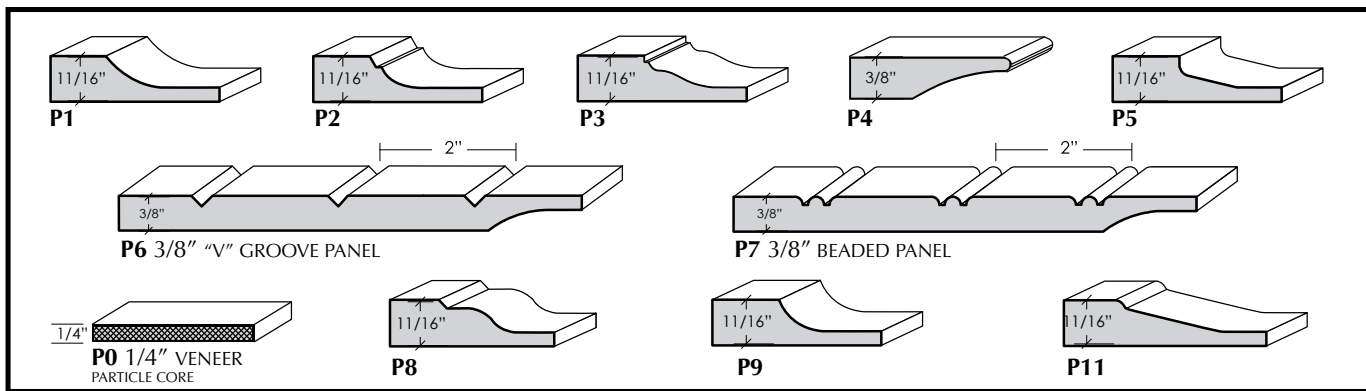
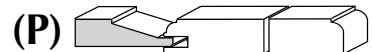
RAILPROFILES



NOTE: Mitred doors are only available in a 100 SQUARE DESIGN
 NOTE: The M4, M5, M6 have the option of an edge profile. Refer to the Mortise & Tenon edge profile options on page 4.
 NOTE: Drawer fronts are available as 5-piece or as a slab (as per the edge profiles on page 4); Flat panels and horizontal grain direction are standard.
 Raised panels are available only if specified and are above minimums.
 NOTE: Knotty Pine, Birch are not available in Mitred Doors. MDF are only available in EL and DE. DE is the standard drawer front rail for the EL door rail.
 NOTE: M11 is the standard drawer front moulding for the M10 rail.
 NOTE: Mitred doors cannot have cross rails. Therefore multi panel doors and custom panels are not available.

PANELPROFILES

■ Profiles with solid grey are solid wood panels



NOTE: P4, P6 & P7 are reversed solid panels.

NOTE: Drawer fronts also available as slab. If slab drawer fronts are selected then a complementary edge will need to be specified from the Mortise & Tenon edge profiles.