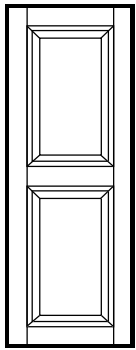
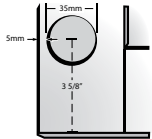
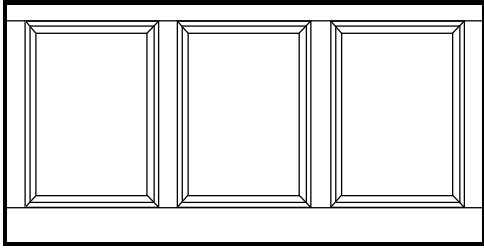
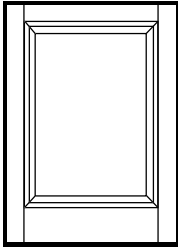
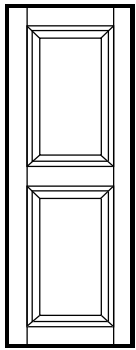
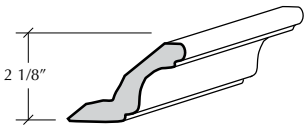
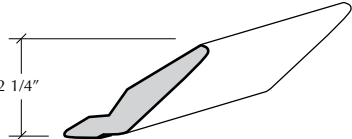
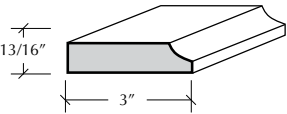
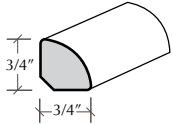
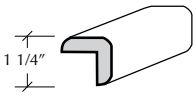
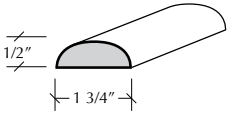
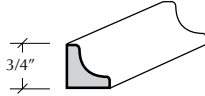
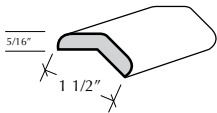


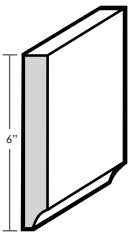
ACCESSORIES & SPECIALTY ITEMS

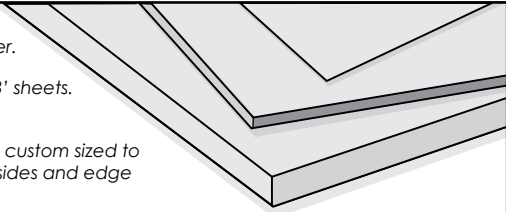
<p>CUSTOM PANELS (Available in Mortise & Tenon Doors Only)</p>	<p>Island Backs, Wainscoting, Special design doors with non standard stiles & rails, Special design doors with non standard machining. Maximum width 120" (It is recommended that a detailed drawing be sent for these items)</p>			
<p>HINGE DRILLING & HINGES</p>		<p>STANDARD DRILLING: Drilled to fit a 35mm standard concealed hinge. It is offset 5mm from the side of the door to allow for a 5/8" gable.</p>	<p>CUSTOM DRILLING: All other drilling is considered custom and requires a drawing.</p>	 <p>STANDARD DRILLING</p>
 <p>WAINSCOTING & ISLAND BACKS</p>		 <p>DECORATIVE END</p>	 <p>APPLIANCE PANEL</p>	

(All moulding comes 8' lengths)

ACCESSORY MOULDINGS

<p>3.5" Crown (PP04)</p>	<p>Shaker Crown (KIT01)</p>	<p>Single Light Valance (5100)</p>	<p>Quarter Round (5174)</p>
			
<p>90° Outside Corner (116)</p>	<p>Double Shoe (3154)</p>	<p>Cove (398)</p>	<p>45° Outside Corner (115)</p>
			

<p>VALANCES</p>	 <div style="display: flex; justify-content: space-around;"> <div data-bbox="776 1346 1105 1402"> <p>PLAIN VALANCE</p> </div> <div data-bbox="776 1419 1105 1476"> <p>SCALLOP VALANCE</p> </div> <div data-bbox="776 1493 1105 1549"> <p>ROMAN ARCH VALANCE</p> </div> </div> <p>NOTE: With a plain valance the door edge profile will be used, on Scalloped and Roman valances a square edge will be used.</p>	
------------------------	-----------------------------------------------------------------------------------------------------------------------------------------------------------------------------------------------------------------------------------------------------------------------------------------------------------------------------------------------------------------------------------------------------------------------------------------------------------------------------------------------------------	--

<p>VENEER & PANELS</p>	<p>VENEER SHEETS: Veneer sheets are available in 4' x 8' sheets with a poly backer.</p> <p>1/4" PANELS: 1/4" Panels are available in 4' x 8' sheets. (see note below...)</p> <p>5/8" GABLE PANELS: 5/8" Gable panels are available custom sized to your specifications, veneered 2 sides and edge banded all 4 edges.</p> <p>NOTE: A cut sheet is required with every order of 1/4" panels. please send along with door order form. NOTE: Veneer sheets and panels are only available in Oak, Maple, and Cherry species.</p> 
-----------------------------------	-----------------------------------------------------------------------------------------------------------------------------------------------------------------------------------------------------------------------------------------------------------------------------------------------------------------------------------------------------------------------------------------------------------------------------------------------------------------------------------------------------------------------------------------------------------------------------------------------------------------------------------------------------------